

## ŁAZIENKA (NAD LUSTREM)

V0



### Opis

Kinkiet IP44 LED 11.5 Ciepła biel - 3000K Chrom 1085

	Wykończenie	Materiał
Struktury	Chrom	Stal
Dyfuzora	Opal	Poliwegan

 IP44 IK10  12



### WŁAŚCIWOŚCI TECHNICZNE

#### Źródło światła

Źródło światła: LED HONGLITRONIC  
Moc (W): 11.5W  
Całkowity pobór (W): 13.3W  
Temperatura barwowa: Ciepła biel - 3000K  
CRI: 80  
Ryzyko fotobiologiczne: RG0  
Lumenów realnie : 1085  
Ilość LED: 24  
lm/moc realna (W): 82  
Żywotność : 36.000h L70B30  
Bin / Grup: WS  
skala MacAdam: 3  
UGR: 16.2  
Rekomendowana żarówka: LED

#### OSPRZĘT

Zawiera osprzęt: Tak, elektroniczny  
Napięcie / Częstotliwość:  
100-240V/50-60Hz  
Współczynnik mocy: 0.40  
Protokół ściemniania : ON-OFF

#### Oprawa

Gwarancja: 5 Lata

#### Logistyka

Efektywność energetyczna: LED A++  
Kod EAN: 8435381498115  
Waga netto (kg): 0.97  
Waga brutto (kg): 1.19  
Opakowanie: 645 x 85 x 105  
Opakowanie zbiorcze: 12

UGR	
S=0.250	
Sufit /Wnęka	0.7
Ściany	0.5
Płaszczyzna Robocza	0.2
Wymiary Pomieszczenia	X=4H, Y=8H
UGR Poprzeczna	24.1
UGR Podłużna	20.3

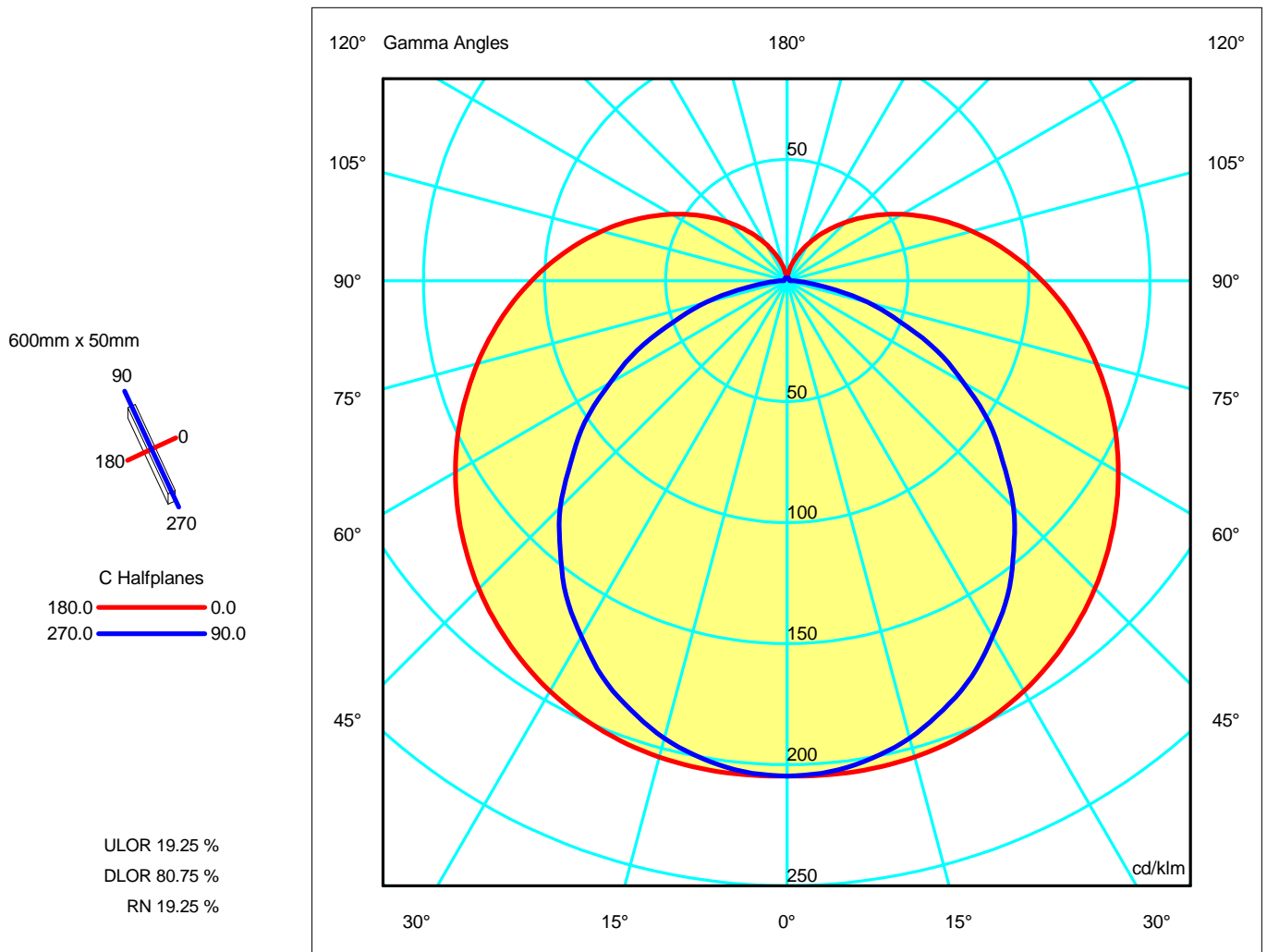
Wykończenie ze zdjęcia może nie odpowiadać wykończeniu z kodu. Aby określić odpowiedni proszę sprawdzić opis wykończenia.

**Luminaire**

Code DE-0429-CRO  
 Name APLIQUE LEDS 60 cm  
**Measur.**  
 Code CL116A17F354G  
 Name APLIQUE LEDS 60 cm

Luminaire Flux	1085.06 lm	Luminaire Power	13.26 W	Efficacy	81.83 lm/W	Efficiency	100.00%
Lamps Flux	1085.06 lm	Maximum value	204.80 cd/klm	Position	C=0.00 G=5.00	CG	Double Symmetrical
Rectangular Luminaire		Length	600 mm	Width	50 mm	Height	70 mm
Rectangular Luminous Area		Length	585 mm	Width	50 mm	Height	34 mm
Horizontal Luminous Area		0.029250 m2		Emitting area on Plane 180°		0.020475 m2	
Emitting area on Plane 0°		0.020475 m2		Emitting area on Plane 270°		0.001750 m2	
Emitting area on Plane 90°		0.001750 m2		Glare area at 76°		0.026943 m2	
Coordinate system		CG		Symmetry Type		Double Symmetrical	
Date		10-11-2017		Maximum Gamma Angle		180	
Measurement Distance		0.00		Measurement Flux		1085.06 lm	
Operator		Asselum T2		Source Voltage [V]			
Temperature		25.00 °C		Source current [A]			
Humidity		60.00 %		Photocell			
Notes							

Line	Code	Luminaire Lamps	Flux [lm]	Pow. [W]	Q.ty
	DE-0429-CRO	Name DE-0429-CRO	1085.06	13.26	1
C.I.E.	36 64 85 81 100	D DIN 5040	B21		
F UTE	0.81 H + 0.19 T	B NBN	BZ 6		





**Luminaire**

Code DE-0429-CRO  
Name APLIQUE LEDS 60 cm

**Measur.**

Code CL116A17F354G  
Name APLIQUE LEDS 60 cm

Luminaire Flux	1085.06 lm	Luminaire Power	13.26 W	Efficacy	81.83 lm/W	Efficiency	100.00%
Lamps Flux	1085.06 lm	Maximum value	204.80 cd/klm	Position	C=0.00 G=5.00	CG	Double Symmetrical

**Luminous Intensity Table cd/klm Table 1/1**

	C 0.00	C 15.00	C 30.00	C 45.00	C 60.00	C 75.00	C 90.00
G 0.0	204.67	204.67	204.67	204.67	204.67	204.67	204.67
G 5.0	204.80	204.73	204.56	204.27	203.96	203.73	203.64
G 10.0	204.64	204.31	203.67	202.83	201.77	200.93	200.46
G 15.0	203.73	203.17	201.96	200.10	198.06	196.44	195.66
G 20.0	202.00	201.20	198.99	196.13	192.75	190.14	188.63
G 25.0	199.31	198.19	195.20	190.99	186.13	182.25	180.49
G 30.0	195.75	194.32	190.05	184.67	178.13	172.83	169.74
G 35.0	191.24	189.48	184.46	177.23	168.88	162.16	158.92
G 40.0	185.89	183.82	177.30	168.84	158.73	150.26	145.62
G 45.0	179.90	177.36	170.18	159.75	147.72	137.31	132.31
G 50.0	173.08	170.22	161.66	149.91	135.89	123.47	116.37
G 55.0	165.87	162.67	153.47	139.76	123.60	109.00	101.81
G 60.0	158.02	154.57	144.06	129.23	111.27	94.09	84.21
G 65.0	149.87	146.10	135.26	118.81	98.52	78.97	68.33
G 70.0	141.12	137.23	125.42	108.38	86.47	63.87	49.80
G 75.0	132.32	128.33	116.42	98.08	74.48	49.76	34.41
G 80.0	123.37	119.29	106.71	88.10	63.90	36.88	17.74
G 85.0	114.46	110.24	97.93	78.92	54.09	26.28	6.80
G 90.0	105.38	101.31	88.78	70.31	45.80	18.79	1.32
G 95.0	96.49	92.55	80.63	62.25	38.64	13.94	1.13
G100.0	87.66	83.85	72.23	54.64	32.92	10.93	1.09
G105.0	79.06	75.51	64.70	48.24	27.87	9.01	1.09
G110.0	70.77	67.34	57.10	42.04	23.96	7.73	1.09
G115.0	62.62	59.55	50.35	36.56	20.47	6.74	1.09
G120.0	54.83	52.01	43.60	31.44	17.68	5.97	1.09
G125.0	47.40	44.98	37.75	27.10	15.12	5.27	1.09
G130.0	40.47	38.33	31.91	22.80	12.94	4.64	1.09
G135.0	34.00	32.19	26.93	19.33	10.92	4.03	1.11
G140.0	27.97	26.49	22.10	15.75	9.18	3.46	1.13
G145.0	22.53	21.18	17.89	12.95	7.49	2.86	1.13
G150.0	17.57	16.61	13.89	10.07	6.05	2.30	1.15
G155.0	13.15	12.38	10.57	7.69	4.43	1.79	1.17
G160.0	9.17	8.83	7.36	5.12	3.10	1.39	1.19
G165.0	5.95	5.27	4.46	3.23	1.87	1.24	1.21
G170.0	2.75	2.77	2.12	1.56	1.30	1.20	1.21
G175.0	0.89	1.08	1.00	1.09	1.14	1.20	1.22
G180.0	1.07	1.07	1.07	1.07	1.07	1.07	1.07

**Luminaire**

Code DE-0429-CRO  
Name APLIQUE LEDS 60 cm

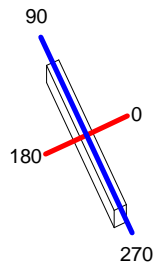
**Measur.**

Code CL116A17F354G  
Name APLIQUE LEDS 60 cm

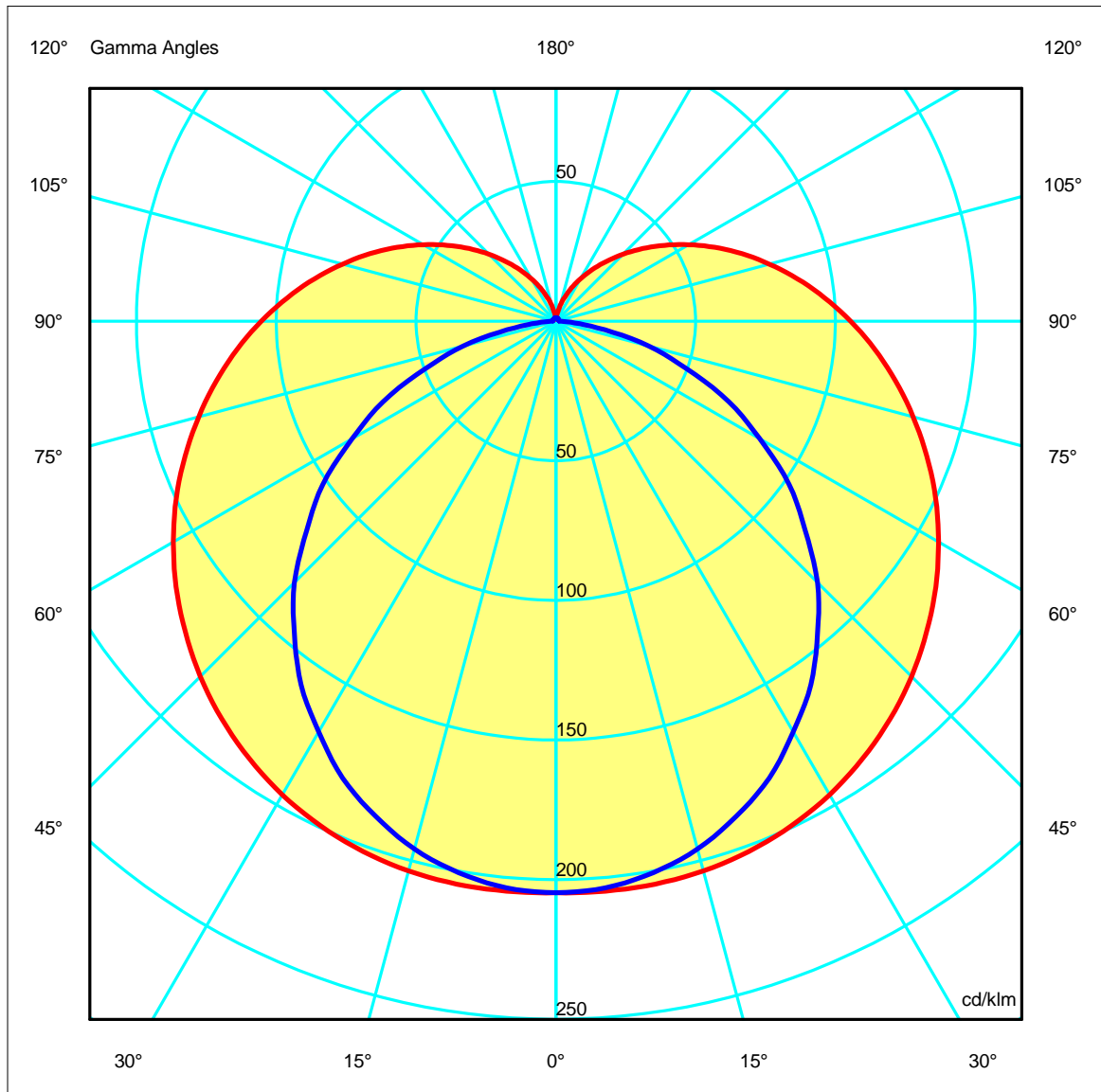
Luminaire Flux	1085.06 lm	Luminaire Power	13.26 W	Efficacy	81.83 lm/W	Efficiency	100.00%
Lamps Flux	1085.06 lm	Maximum value	204.80 cd/klm	Position	C=0.00 G=5.00	CG	Double Symmetrical

600mm x 50mm

C Halfplanes



180.0 ——— 0.0  
270.0 ——— 90.0





---

**Luminaire**Code DE-0429-CRO  
Name APLIQUE LEDS 60 cm**Measurem.**Code CL116A17F354G  
Name APLIQUE LEDS 60 cm

---

Luminaire Flux	1085.06 lm	Luminaire Power	13.26 W	Efficacy	81.83 lm/W	Efficiency	100.00%
Lamps Flux	1085.06 lm	Maximum value	204.80 cd/klm	Position	C=0.00 G=5.00	CG	Double Symmetrical

---

Right beam angle not found, gamma = 6

Right beam angle not found, gamma = 6

Right beam angle not found, gamma = 6

**Luminaire**

 Code DE-0429-CRO  
 Name APLIQUE LEDS 60 cm

**Measurement**

 Code CL116A17F354G  
 Name APLIQUE LEDS 60 cm

Luminaire Flux	1085.06 lm	Luminaire Power	13.26 W	Efficacy	81.83 lm/W	Efficiency	100.00%
Lamps Flux	1085.06 lm	Maximum value	204.80 cd/klm	Position	C=0.00 G=5.00	CG	Double Symmetrical

**UGR**  
S = 0.250

Reflectancies										
Ceiling/Cavity	0.7	0.7	0.5	0.5	0.3	0.7	0.7	0.5	0.5	0.3
Walls	0.5	0.3	0.5	0.3	0.3	0.5	0.3	0.5	0.3	0.3
WorkingPlane	0.2	0.2	0.2	0.2	0.2	0.2	0.2	0.2	0.2	0.2
RoomDimensions	Viewed Crosswise					Viewed Endwise				
x=2H y=2H	17.5	18.7	18.1	19.3	19.9	16.2	17.4	16.7	18.0	18.6
x=2H y=3H	19.8	20.9	20.4	21.5	22.2	17.7	18.8	18.2	19.4	20.0
x=2H y=4H	21.0	22.1	21.6	22.7	23.3	18.2	19.3	18.8	19.9	20.6
x=2H y=6H	22.2	23.1	22.8	23.8	24.5	18.6	19.5	19.2	20.2	20.9
x=2H y=8H	22.7	23.7	23.4	24.3	25.0	18.7	19.6	19.3	20.2	20.9
x=2H y=12H	23.3	24.2	23.9	24.8	25.6	18.7	19.6	19.3	20.2	21.0
x=4H y=2H	18.2	19.2	18.8	19.8	20.5	17.2	18.3	17.8	18.9	19.6
x=4H y=3H	20.7	21.6	21.4	22.3	23.0	18.9	19.8	19.6	20.5	21.2
x=4H y=4H	22.1	22.9	22.7	23.5	24.3	19.6	20.5	20.3	21.1	21.9
x=4H y=6H	23.4	24.1	24.1	24.8	25.6	20.2	20.9	20.9	21.6	22.4
x=4H y=8H	24.1	24.7	24.8	25.4	26.3	20.3	21.0	21.0	21.7	22.5
x=4H y=12H	24.7	25.3	25.4	26.1	26.9	20.4	21.0	21.1	21.7	22.6
x=8H y=4H	22.4	23.1	23.1	23.8	24.6	20.5	21.1	21.2	21.8	22.7
x=8H y=6H	24.0	24.6	24.7	25.3	26.1	21.3	21.9	22.0	22.6	23.4
x=8H y=8H	24.8	25.3	25.6	26.1	27.0	21.6	22.1	22.3	22.8	23.7
x=8H y=12H	25.7	26.1	26.4	26.9	27.8	21.8	22.3	22.6	23.0	23.9
x=12H y=4H	22.4	23.1	23.2	23.8	24.6	20.7	21.3	21.4	22.0	22.8
x=12H y=6H	24.1	24.6	24.9	25.4	26.2	21.6	22.2	22.4	22.9	23.8
x=12H y=8H	25.0	25.5	25.8	26.2	27.1	22.1	22.5	22.8	23.3	24.2

**Luminaire**

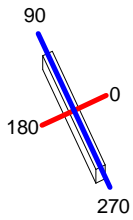
Code DE-0429-CRO  
 Name APLIQUE LEDS 60 cm

**Measurem.**

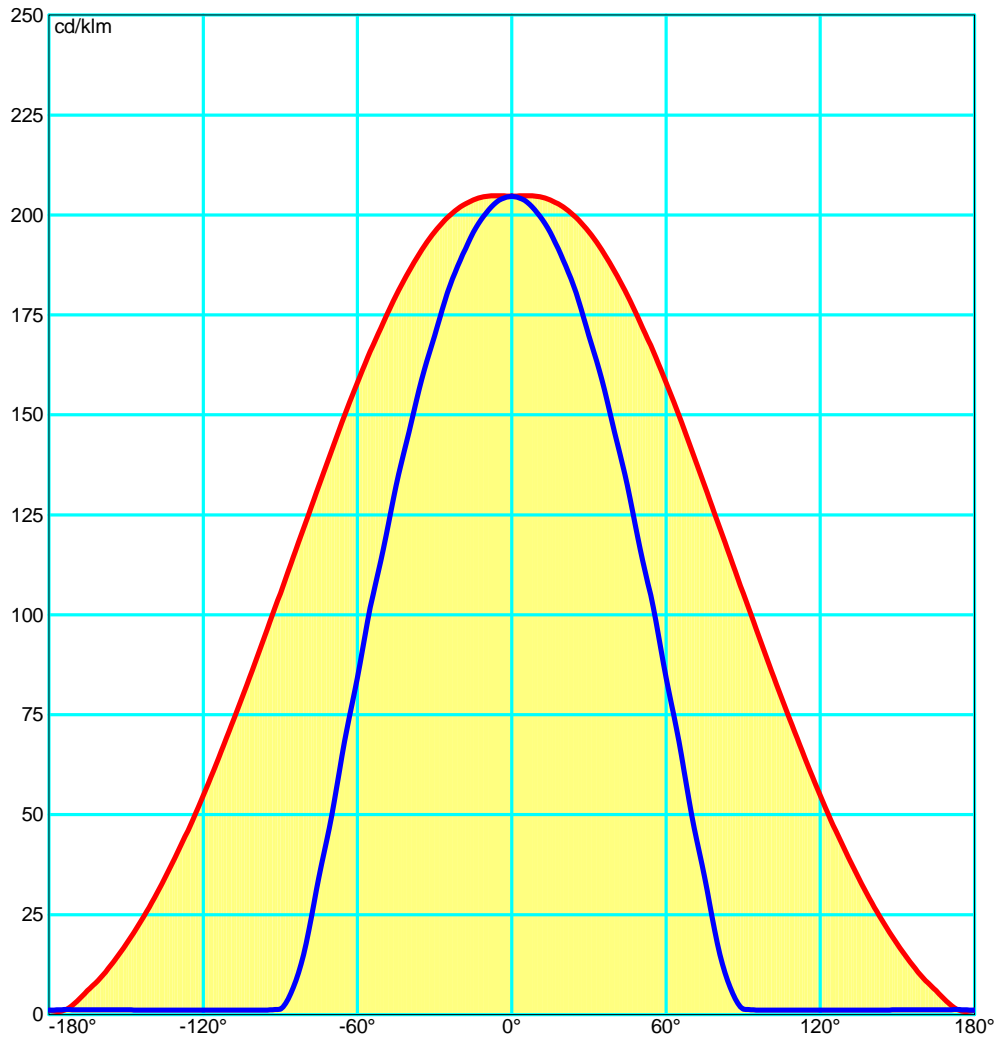
Code CL116A17F354G  
 Name APLIQUE LEDS 60 cm

Luminaire Flux	1085.06 lm	Luminaire Power	13.26 W	Efficacy	81.83 lm/W	Efficiency	100.00%
Lamps Flux	1085.06 lm	Maximum value	204.80 cd/klm	Position	C=0.00 G=5.00	CG	Double Symmetrical

600mm x 50mm



C Halfplanes  
 180.0 ———— 0.0  
 270.0 ———— 90.0



**Luminaire**  
 Code DE-0429-CRO  
 Name APLIQUE LEDS 60 cm  
**Measur.**  
 Code CL116A17F354G  
 Name APLIQUE LEDS 60 cm

Luminaire Flux	1085.06 lm	Luminaire Power	13.26 W	Efficacy	81.83 lm/W	Efficiency	100.00%
Lamps Flux	1085.06 lm	Maximum value	204.80 cd/klm	Position	C=0.00 G=5.00	CG	Double Symmetrical

Luminance







**Luminaire**

Code DE-0429-CRO  
Name APLIQUE LEDS 60 cm

**Measurerm.**

Code CL116A17F354G  
Name APLIQUE LEDS 60 cm

Luminaire Flux	1085.06 lm	Luminaire Power	13.26 W	Efficacy	81.83 lm/W	Efficiency	100.00%
Lamps Flux	1085.06 lm	Maximum value	204.80 cd/klm	Position	C=0.00 G=5.00	CG	Double Symmetrical

**Luminance cd/m2 Table 1/3**

	C 0.00	C 10.00	C 20.00	C 30.00	C 40.00	C 50.00	C 60.00	C 70.00	C 80.00	C 90.00	C 100.00	C 110.00	C 120.00
G 0.0	7592.46	7592.46	7592.46	7592.46	7592.46	7592.46	7592.46	7592.46	7592.46	7592.46	7592.46	7592.46	7592.46
G 5.0	7186.30	7184.88	7194.99	7215.63	7246.07	7286.49	7336.99	7397.30	7466.92	7543.55	7466.92	7397.30	7336.99
G 10.0	6861.41	6855.29	6867.80	6898.07	6947.69	7014.01	7097.49	7202.21	7328.49	7472.00	7328.49	7202.21	7097.49
G 15.0	6588.29	6578.20	6592.30	6626.60	6681.46	6760.20	6866.97	7006.35	7183.99	7395.62	7183.99	7006.35	6866.97
G 20.0	6355.16	6342.86	6351.25	6378.62	6436.64	6521.62	6638.40	6803.10	7021.67	7287.74	7021.67	6803.10	6638.40
G 25.0	6150.52	6132.66	6138.25	6162.00	6214.07	6296.02	6416.29	6594.29	6851.75	7187.01	6851.75	6594.29	6416.29
G 30.0	5971.42	5951.09	5945.78	5953.89	6001.49	6078.90	6193.30	6378.91	6657.80	7028.08	6657.80	6378.91	6193.30
G 35.0	5811.93	5785.08	5777.50	5779.30	5807.03	5864.77	5968.49	6153.96	6464.38	6907.43	6464.38	6153.96	5968.49
G 40.0	5671.03	5641.86	5619.12	5597.68	5614.91	5661.72	5748.32	5923.33	6240.55	6714.68	6240.55	5923.33	5748.32
G 45.0	5551.54	5512.19	5486.00	5456.81	5446.55	5464.75	5528.39	5678.96	6006.73	6549.45	6006.73	5678.96	5528.39
G 50.0	5445.76	5402.25	5360.40	5306.59	5279.08	5273.65	5302.93	5422.94	5729.57	6269.11	5729.57	5422.94	5302.93
G 55.0	5364.56	5312.56	5266.33	5200.85	5139.89	5093.92	5079.34	5146.69	5446.77	6066.32	5446.77	5146.69	5079.34
G 60.0	5299.06	5243.36	5179.67	5085.32	5003.16	4930.00	4867.75	4865.56	5093.07	5660.79	5093.07	4865.56	4867.75
G 65.0	5259.72	5192.82	5125.05	5021.84	4907.14	4780.68	4645.15	4550.46	4719.86	5315.46	4719.86	4550.46	4645.15
G 70.0	5235.83	5165.94	5081.23	4950.55	4819.35	4663.95	4457.43	4232.11	4230.25	4638.44	4230.25	4232.11	4457.43
G 75.0	5250.17	5171.44	5085.23	4945.57	4776.97	4563.62	4270.96	3902.64	3743.60	4032.11	3743.60	3902.64	4270.96
G 80.0	5303.02	5218.13	5115.06	4947.56	4759.21	4522.13	4163.58	3620.63	3132.57	2830.09	3132.57	3620.63	4163.58
G 85.0	5412.55	5312.24	5207.86	5039.48	4830.24	4552.83	4116.83	3402.64	2628.71	1719.19	2628.71	3402.64	4116.83
G 90.0	5584.61	5480.61	5363.65	5177.27	4975.75	4701.76	4227.98	3402.54	2464.70	818.40	2464.70	3402.54	4227.98



**Luminaire**

Code DE-0429-CRO  
Name APLIQUE LEDS 60 cm

**Measurerm.**

Code CL116A17F354G  
Name APLIQUE LEDS 60 cm

Luminaire Flux	1085.06 lm	Luminaire Power	13.26 W	Efficacy	81.83 lm/W	Efficiency	100.00%
Lamps Flux	1085.06 lm	Maximum value	204.80 cd/klm	Position	C=0.00 G=5.00	CG	Double Symmetrical

**Luminance cd/m2 Table 2/3**

	C 130.00	C 140.00	C 150.00	C 160.00	C 170.00	C 180.00	C 190.00	C 200.00	C 210.00	C 220.00	C 230.00	C 240.00	C 250.00
G 0.0	7592.46	7592.46	7592.46	7592.46	7592.46	7592.46	7592.46	7592.46	7592.46	7592.46	7592.46	7592.46	7592.46
G 5.0	7286.49	7246.07	7215.63	7194.99	7184.88	7186.30	7184.88	7194.99	7215.63	7246.07	7286.49	7336.99	7397.30
G 10.0	7014.01	6947.69	6898.07	6867.80	6855.29	6861.41	6855.29	6867.80	6898.07	6947.69	7014.01	7097.49	7202.21
G 15.0	6760.20	6681.46	6626.60	6592.30	6578.20	6588.29	6578.20	6592.30	6626.60	6681.46	6760.20	6866.97	7006.35
G 20.0	6521.62	6436.64	6378.62	6351.25	6342.86	6355.16	6342.86	6351.25	6378.62	6436.64	6521.62	6638.40	6803.10
G 25.0	6296.02	6214.07	6162.00	6138.25	6132.66	6150.52	6132.66	6138.25	6162.00	6214.07	6296.02	6416.29	6594.29
G 30.0	6078.90	6001.49	5953.89	5945.78	5951.09	5971.42	5951.09	5945.78	5953.89	6001.49	6078.90	6193.30	6378.91
G 35.0	5864.77	5807.03	5779.30	5777.50	5785.08	5811.93	5785.08	5777.50	5779.30	5807.03	5864.77	5968.49	6153.96
G 40.0	5661.72	5614.91	5597.68	5619.12	5641.86	5671.03	5641.86	5619.12	5597.68	5614.91	5661.72	5748.32	5923.33
G 45.0	5464.75	5446.55	5456.81	5486.00	5512.19	5551.54	5512.19	5486.00	5456.81	5446.55	5464.75	5528.39	5678.96
G 50.0	5273.65	5279.08	5306.59	5360.40	5402.25	5445.76	5402.25	5360.40	5306.59	5279.08	5273.65	5302.93	5422.94
G 55.0	5093.92	5139.89	5200.85	5266.33	5312.56	5364.56	5312.56	5266.33	5200.85	5139.89	5093.92	5079.34	5146.69
G 60.0	4930.00	5003.16	5085.32	5179.67	5243.36	5299.06	5243.36	5179.67	5085.32	5003.16	4930.00	4867.75	4865.56
G 65.0	4780.68	4907.14	5021.84	5125.05	5192.82	5259.72	5192.82	5125.05	5021.84	4907.14	4780.68	4645.15	4550.46
G 70.0	4663.95	4819.35	4950.55	5081.23	5165.94	5235.83	5165.94	5081.23	4950.55	4819.35	4663.95	4457.43	4232.11
G 75.0	4563.62	4776.97	4945.57	5085.23	5171.44	5250.17	5171.44	5085.23	4945.57	4776.97	4563.62	4270.96	3902.64
G 80.0	4522.13	4759.21	4947.56	5115.06	5218.13	5303.02	5218.13	5115.06	4947.56	4759.21	4522.13	4163.58	3620.63
G 85.0	4552.83	4830.24	5039.48	5207.86	5312.24	5412.55	5312.24	5207.86	5039.48	4830.24	4552.83	4116.83	3402.64
G 90.0	4701.76	4975.75	5177.27	5363.65	5480.61	5584.61	5480.61	5363.65	5177.27	4975.75	4701.76	4227.98	3402.54

**Luminaire**

 Code DE-0429-CRO  
 Name APLIQUE LEDS 60 cm

**Measur.**

 Code CL116A17F354G  
 Name APLIQUE LEDS 60 cm

Luminaire Flux	1085.06 lm	Luminaire Power	13.26 W	Efficacy	81.83 lm/W	Efficiency	100.00%
Lamps Flux	1085.06 lm	Maximum value	204.80 cd/klm	Position	C=0.00 G=5.00	CG	Double Symmetrical

**Luminance cd/m2 Table 3/3**

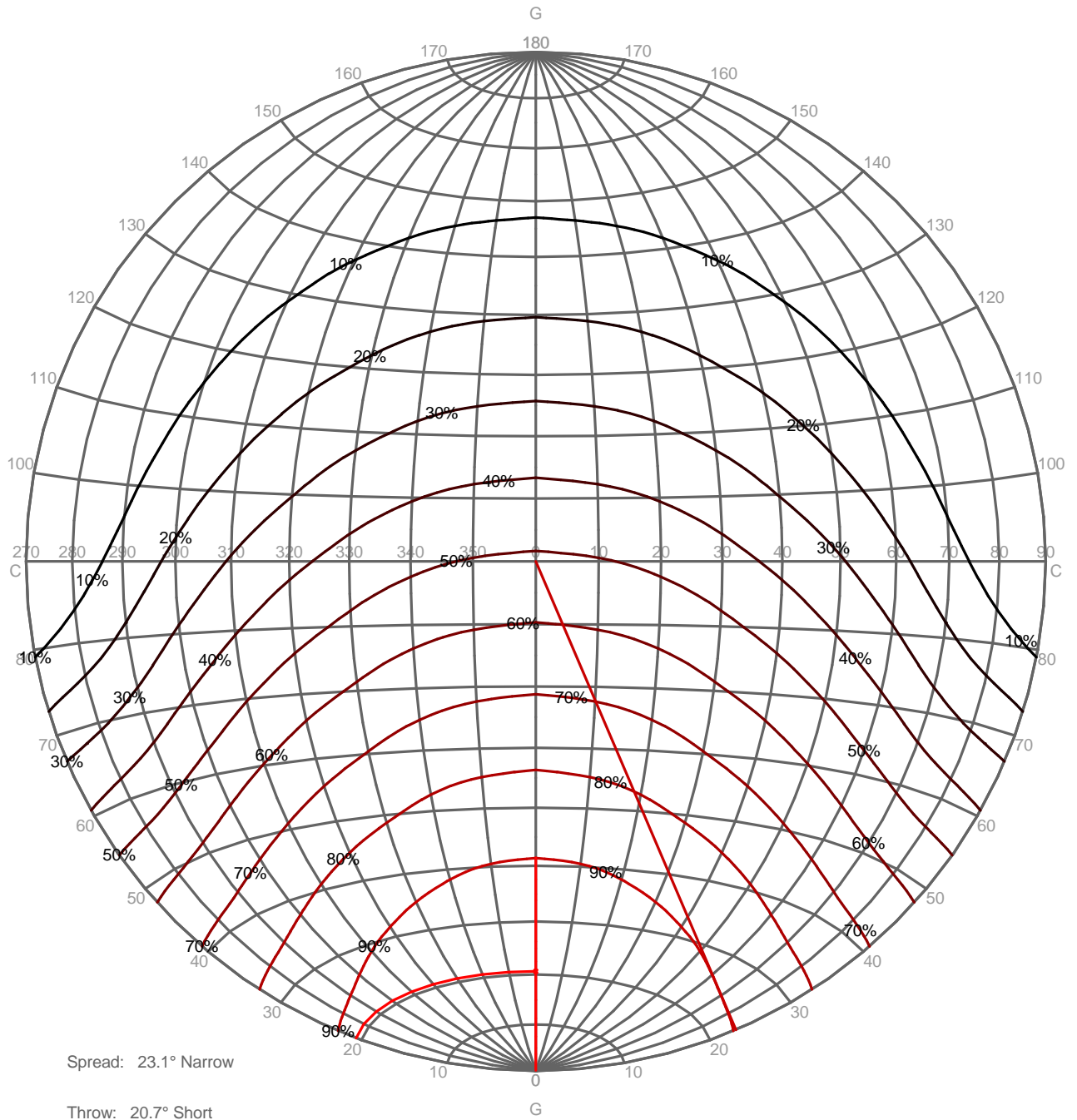
	C 260.00	C 270.00	C 280.00	C 290.00	C 300.00	C 310.00	C 320.00	C 330.00	C 340.00	C 350.00
G 0.0	7592.46	7592.46	7592.46	7592.46	7592.46	7592.46	7592.46	7592.46	7592.46	7592.46
G 5.0	7466.92	7543.55	7466.92	7397.30	7336.99	7286.49	7246.07	7215.63	7194.99	7184.88
G 10.0	7328.49	7472.00	7328.49	7202.21	7097.49	7014.01	6947.69	6898.07	6867.80	6855.29
G 15.0	7183.99	7395.62	7183.99	7006.35	6866.97	6760.20	6681.46	6626.60	6592.30	6578.20
G 20.0	7021.67	7287.74	7021.67	6803.10	6638.40	6521.62	6436.64	6378.62	6351.25	6342.86
G 25.0	6851.75	7187.01	6851.75	6594.29	6416.29	6296.02	6214.07	6162.00	6138.25	6132.66
G 30.0	6657.80	7028.08	6657.80	6378.91	6193.30	6078.90	6001.49	5953.89	5945.78	5951.09
G 35.0	6464.38	6907.43	6464.38	6153.96	5968.49	5864.77	5807.03	5779.30	5777.50	5785.08
G 40.0	6240.55	6714.68	6240.55	5923.33	5748.32	5661.72	5614.91	5597.68	5619.12	5641.86
G 45.0	6006.73	6549.45	6006.73	5678.96	5528.39	5464.75	5446.55	5456.81	5486.00	5512.19
G 50.0	5729.57	6269.11	5729.57	5422.94	5302.93	5273.65	5279.08	5306.59	5360.40	5402.25
G 55.0	5446.77	6066.32	5446.77	5146.69	5079.34	5093.92	5139.89	5200.85	5266.33	5312.56
G 60.0	5093.07	5660.79	5093.07	4865.56	4867.75	4930.00	5003.16	5085.32	5179.67	5243.36
G 65.0	4719.86	5315.46	4719.86	4550.46	4645.15	4780.68	4907.14	5021.84	5125.05	5192.82
G 70.0	4230.25	4638.44	4230.25	4232.11	4457.43	4663.95	4819.35	4950.55	5081.23	5165.94
G 75.0	3743.60	4032.11	3743.60	3902.64	4270.96	4563.62	4776.97	4945.57	5085.23	5171.44
G 80.0	3132.57	2830.09	3132.57	3620.63	4163.58	4522.13	4759.21	4947.56	5115.06	5218.13
G 85.0	2628.71	1719.19	2628.71	3402.64	4116.83	4552.83	4830.24	5039.48	5207.86	5312.24
G 90.0	2464.70	818.40	2464.70	3402.54	4227.98	4701.76	4975.75	5177.27	5363.65	5480.61

**Luminaire**  
 Code DE-0429-CRO  
 Name APLIQUE LEDS 60 cm  
**Measurment**  
 Code CL116A17F354G  
 Name APLIQUE LEDS 60 cm

Luminaire Flux	1085.06 lm	Luminaire Power	13.26 W	Efficacy	81.83 lm/W	Efficiency	100.00%
Lamps Flux	1085.06 lm	Maximum value	204.80 cd/klm	Position	C=0.00 G=5.00	CG	Double Symmetrical

**PERCENTAGE ISOCANDLES**

Projection: Equal Area SLI 5.1 Tight Tilting Angle:0°

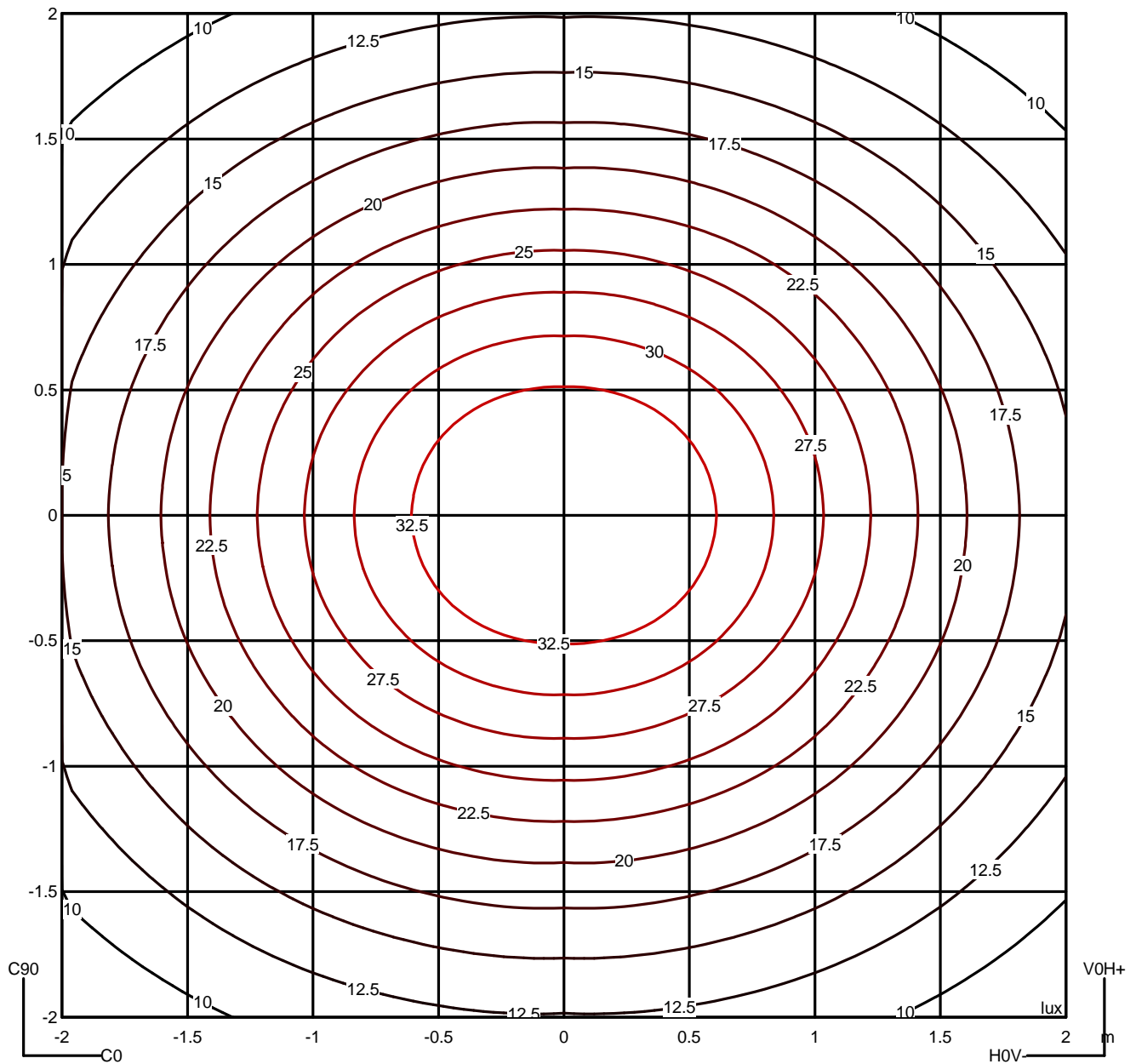


**Luminaire**  
 Code DE-0429-CRO  
 Name APLIQUE LEDS 60 cm  
**Measur.**  
 Code CL116A17F354G  
 Name APLIQUE LEDS 60 cm

Luminaire Flux	1085.06 lm	Luminaire Power	13.26 W	Efficacy	81.83 lm/W	Efficiency	100.00%
Lamps Flux	1085.06 lm	Maximum value	204.80 cd/klm	Position	C=0.00 G=5.00	CG	Double Symmetrical

Isolux (Floor)

Luminaire position X=0.00m Y=0.00m Z=2.50m



**Luminaire**

Code DE-0429-CRO  
Name APLIQUE LEDS 60 cm

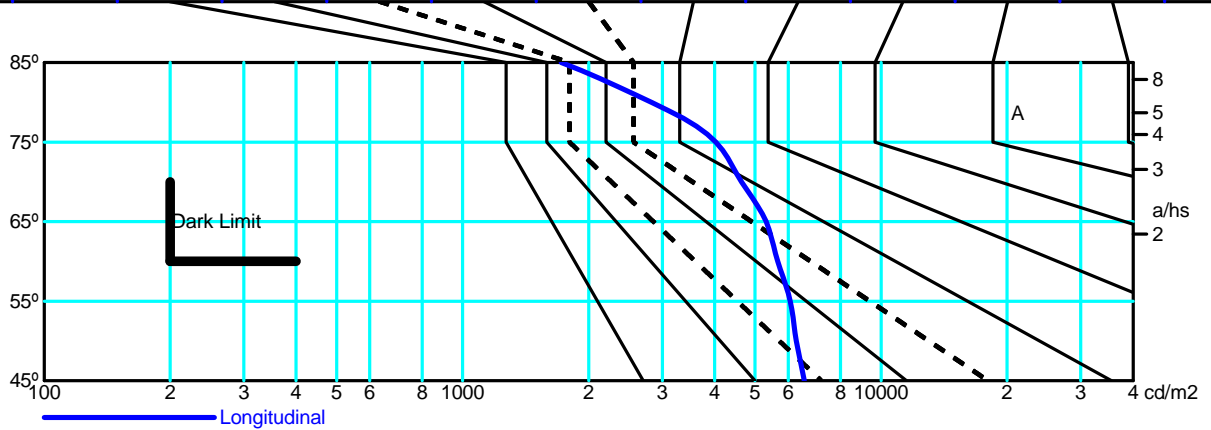
**Measurment**

Code CL116A17F354G  
Name APLIQUE LEDS 60 cm

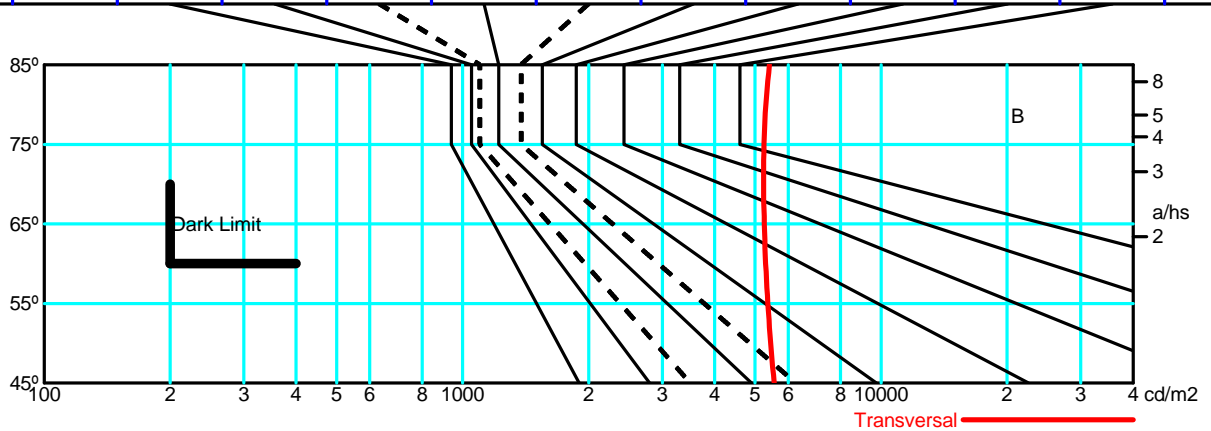
Luminaire Flux	1085.06 lm	Luminaire Power	13.26 W	Efficacy	81.83 lm/W	Efficiency	100.00%
Lamps Flux	1085.06 lm	Maximum value	204.80 cd/klm	Position	C=0.00 G=5.00	CG	Double Symmetrical

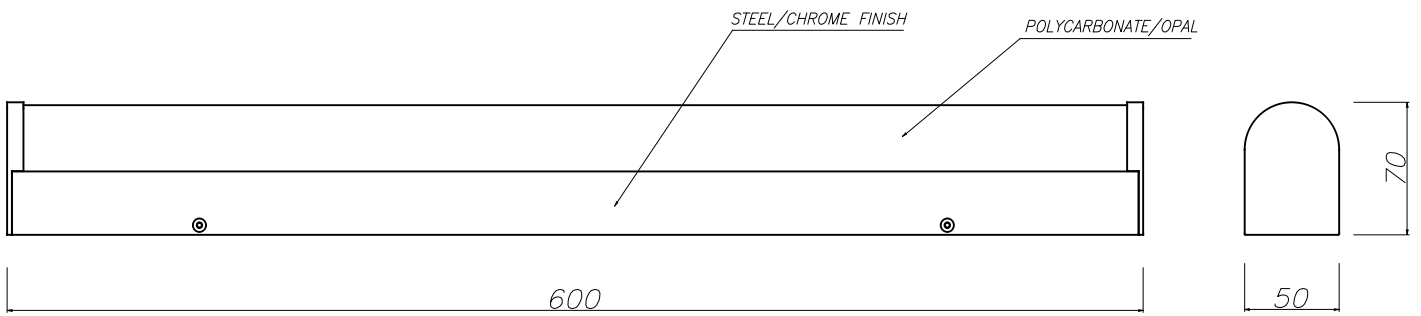
		Average Luminance [cd/m <sup>2</sup> ]									
		45°	50°	55°	60°	65°	70°	75°	80°	85°	
0.0°		5552	5446	5365	5299	5260	5236	5250	5303	5413	---
90.0°		6549	6269	6066	5661	5315	4638	4032	2830	1719	---

Flush mounted or longitudinal view												
		Illumination(lx)										
A	A	2000	1000	750	500	<300						1.15
B	1		2000	1500	1000	750	500	<300				1.5
C					2000		1000	500	<300			1.85
D	2					2000	1000	500	<300			2.2
E	3						2000	1000	500	<300		2.55

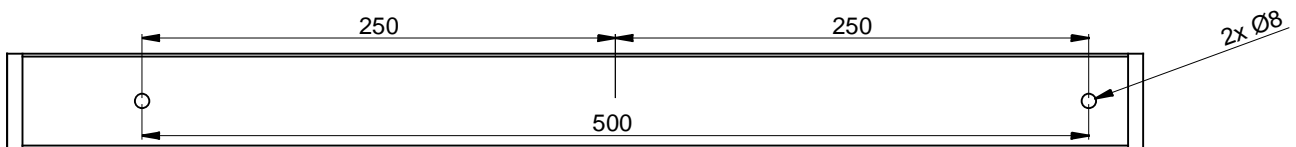


Flush mounted or transversal view												
		Illumination(lx)										
A	A	2000	1000	750	500	<300						1.15
B	1		2000	1500	1000	750	500	<300				1.5
C					2000		1000	500	<300			1.85
D	2					2000	1000	500	<300			2.2
E	3						2000	1000	500	<300		2.55

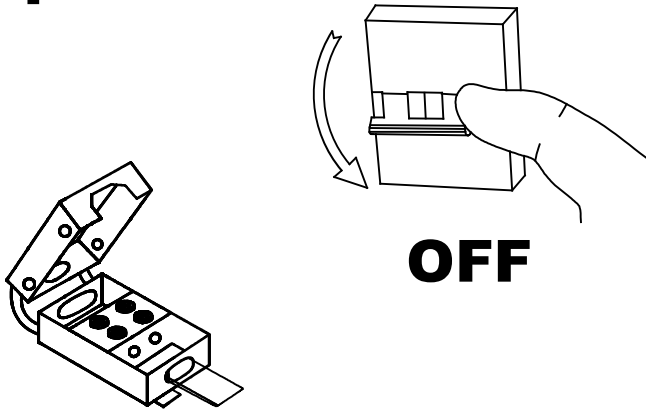




*INSTALLATION TEMPLATE*  
*PLANTILLA DE INSTALACIÓN*



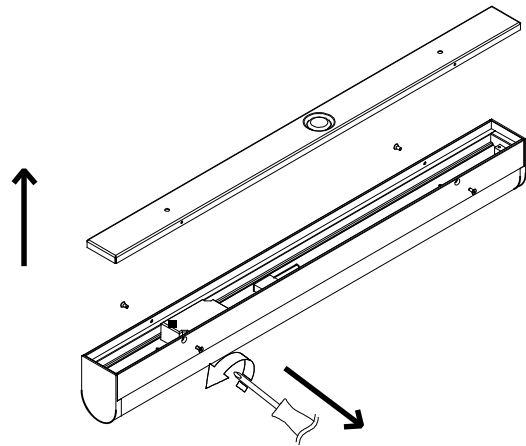
**1**



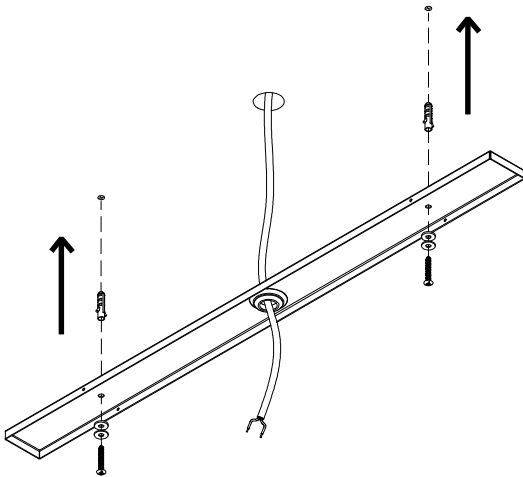
**OFF**

ES) BLOQUE DE CONEXIÓN A RED QUE SE DEBE UTILIZAR (no incluido):  
 EN) MAINS TERMINAL BLOCK REQUIRED (not included):  
 FR) BORNIER DE RACCORDEMENT AU RESEAU REQUIS (non inclus):  
 DE) NOTWENDIGE VERBINDUNGSDOSE FÜR DEN NETZANSCHLUSS (nicht inklusive):

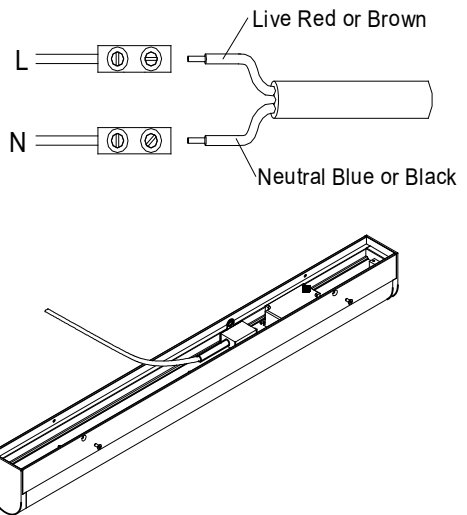
**2**



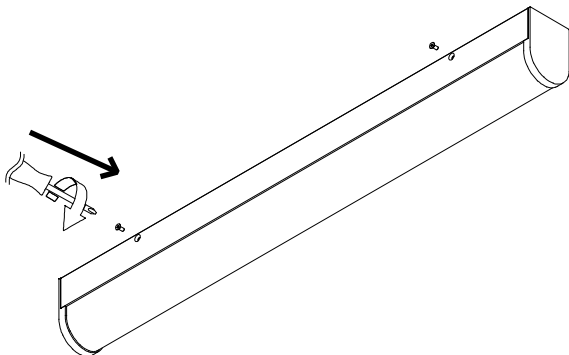
**3**



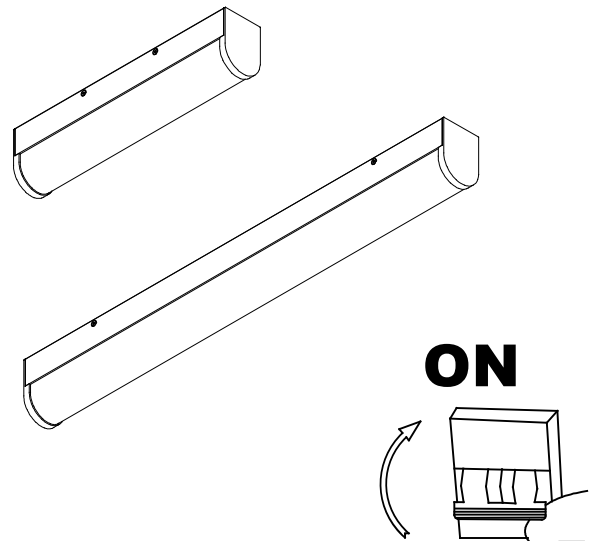
**4**



**5**



**6**



**ON**